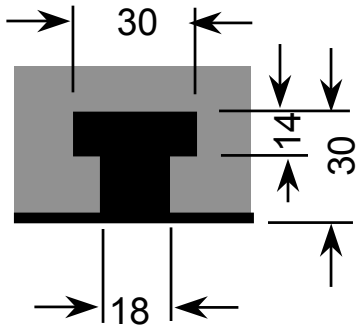
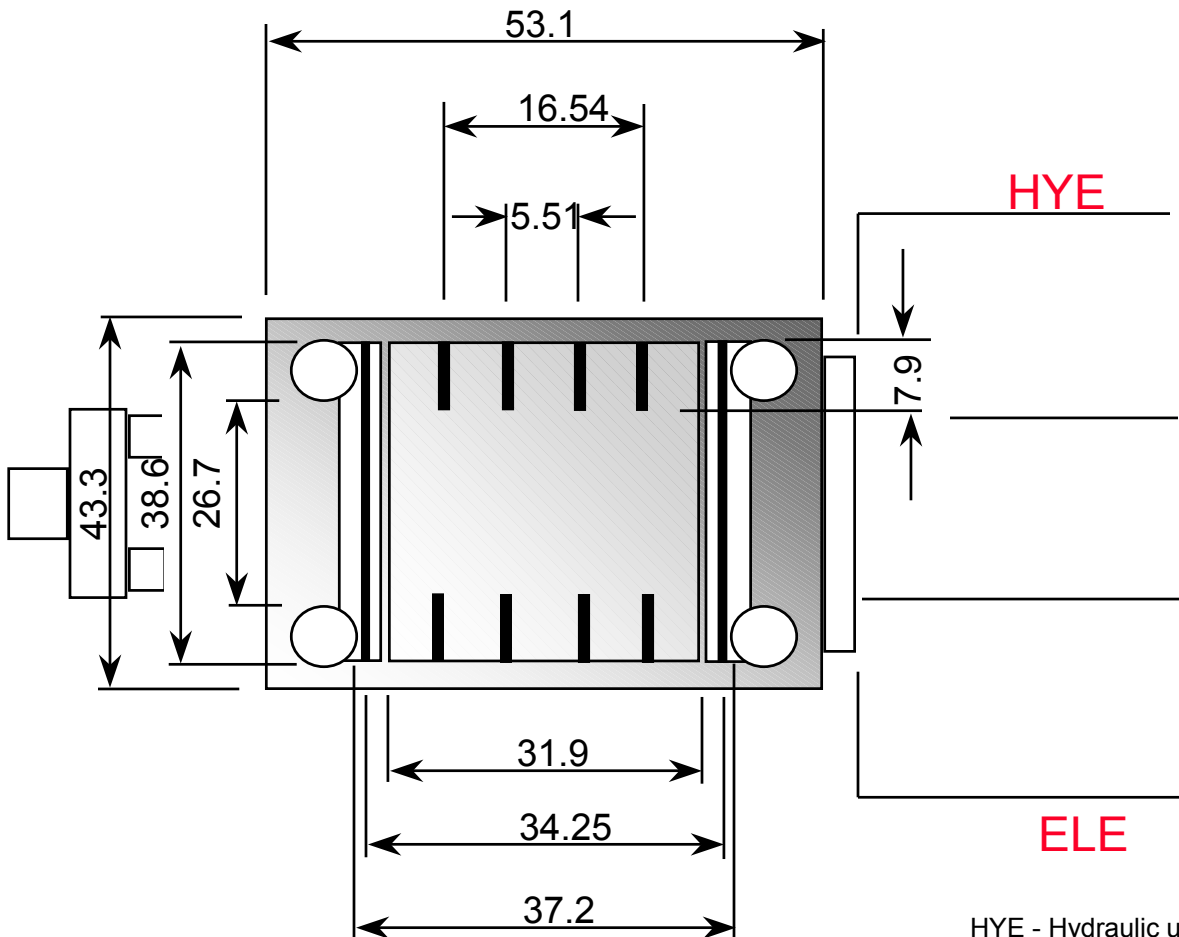


Inch dimensions on platen

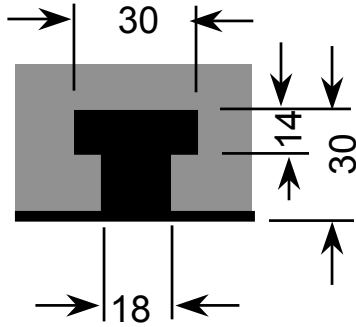


Standard heating platen
(31.9x38.6 in.)

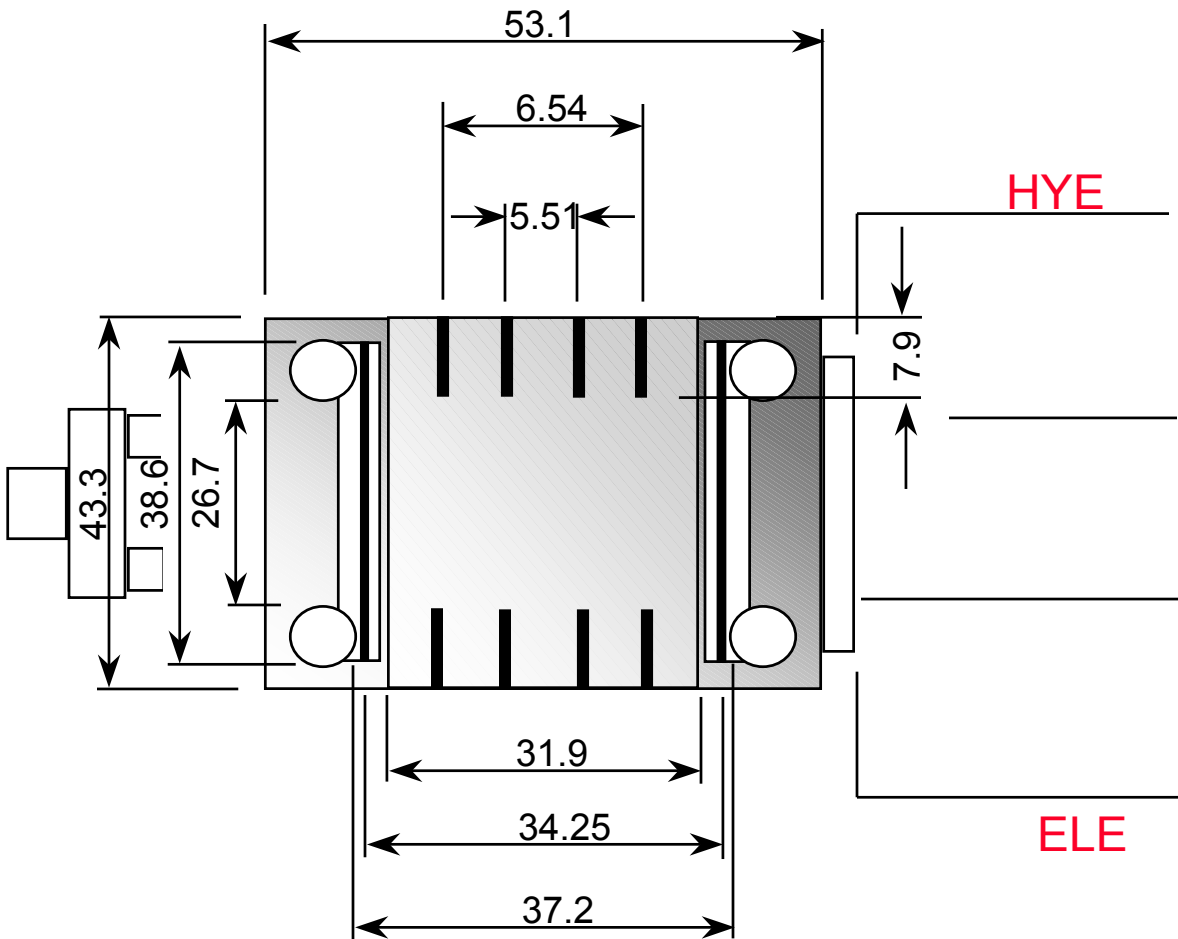


HYE - Hydraulic unit
ELE - El.- unit

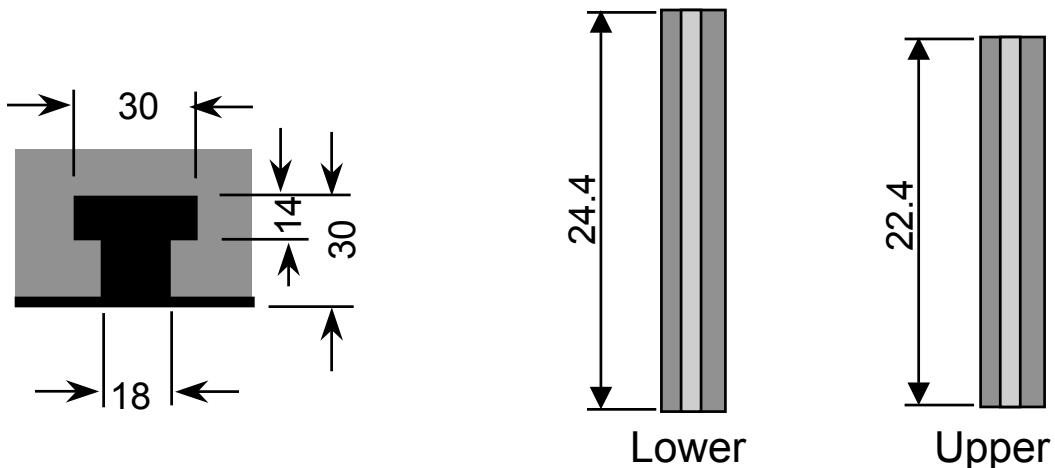
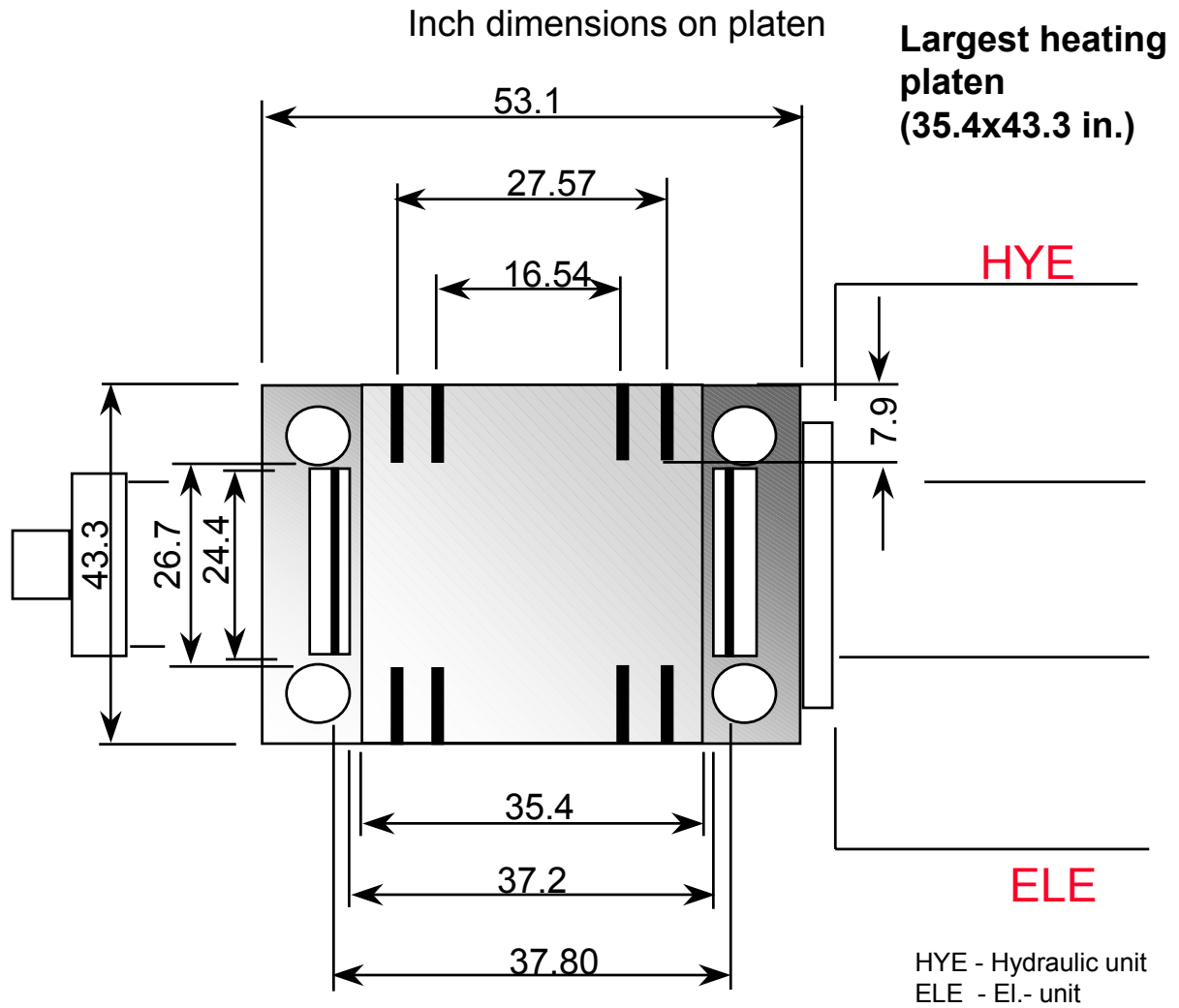
Inch dimensions on platen



Longer heating platen
(31.9x43.3 in.)



HYE - Hydraulic unit
ELE - El.- unit



Core lifter detail